

Basic Line JA4000F 4 Post lift



Jema Autolift Basic line 4 Post lift JA4000F

4 Post JA4000F is an excellent solution if the consumer need a strong and reliable 4 Post lift with plain runways.

The lift has movable runways and 4-double safety locking system and is ideal for the semi-professional workshop or small garage. JA4000F has full automatic control box with double safety and alarm buzz when lowering.

Max lifting height 1850mm and a loading capacity of 4000kg.

Technical specifications

- Loading capacity 4000 kg.
- Rise time 45 sec.
- Drop time 35 sec.
- Lifting height 1850 mm
- Controlbox
- 220V or 380V power supply
- Motor power 2.2 Kw
- Noise level 65 db
- Safety valve
- Weight 1100 kg.
- CE Approved by TÜV

Plain runways

JA4000F is produced with plain runways which makes it excellent for small and medium garages who work on small and medium vehicles

Safety

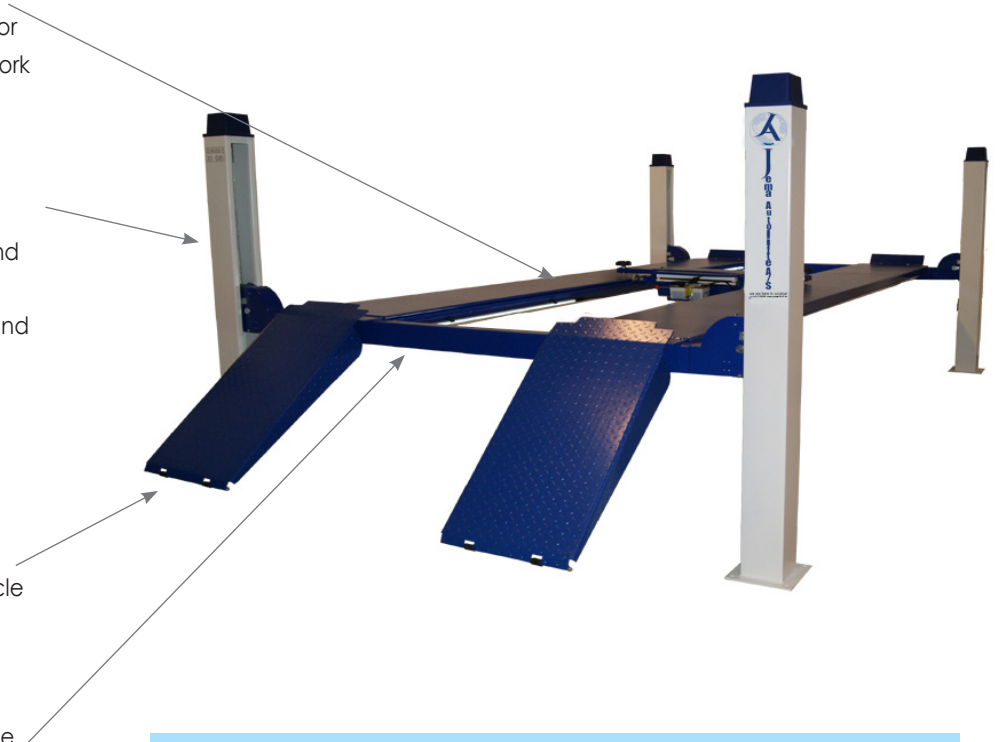
JA4000F has 4 point safety locks which give the consumer a safe and reliable 4 post lift for everyday use. JA4000F has a rise time of 45 sec. and a lowering time of 35 sec.

Access ramps

Because of the low profile access ramps, it is possible to work with all kinds of vehicles. When auto lift is rising will ramps tilt so that the vehicle is safe on the lift.

Functionality and capacity

JA4000F is a hydraulic 4 post lift. The piston is positioned below the ramp and steel wires make sure the force from the piston does the lift rises and is lowering. Max lifting height 1850mm and a loading capacity of 4000kg.



JA4000F is an ideal solution for consumers who need a strong and reliable 4 post lift with plain runways. An optional hydraulic jack can be placed between the runways (As shown in the picture) JA4000F are CE approved by TUV

