



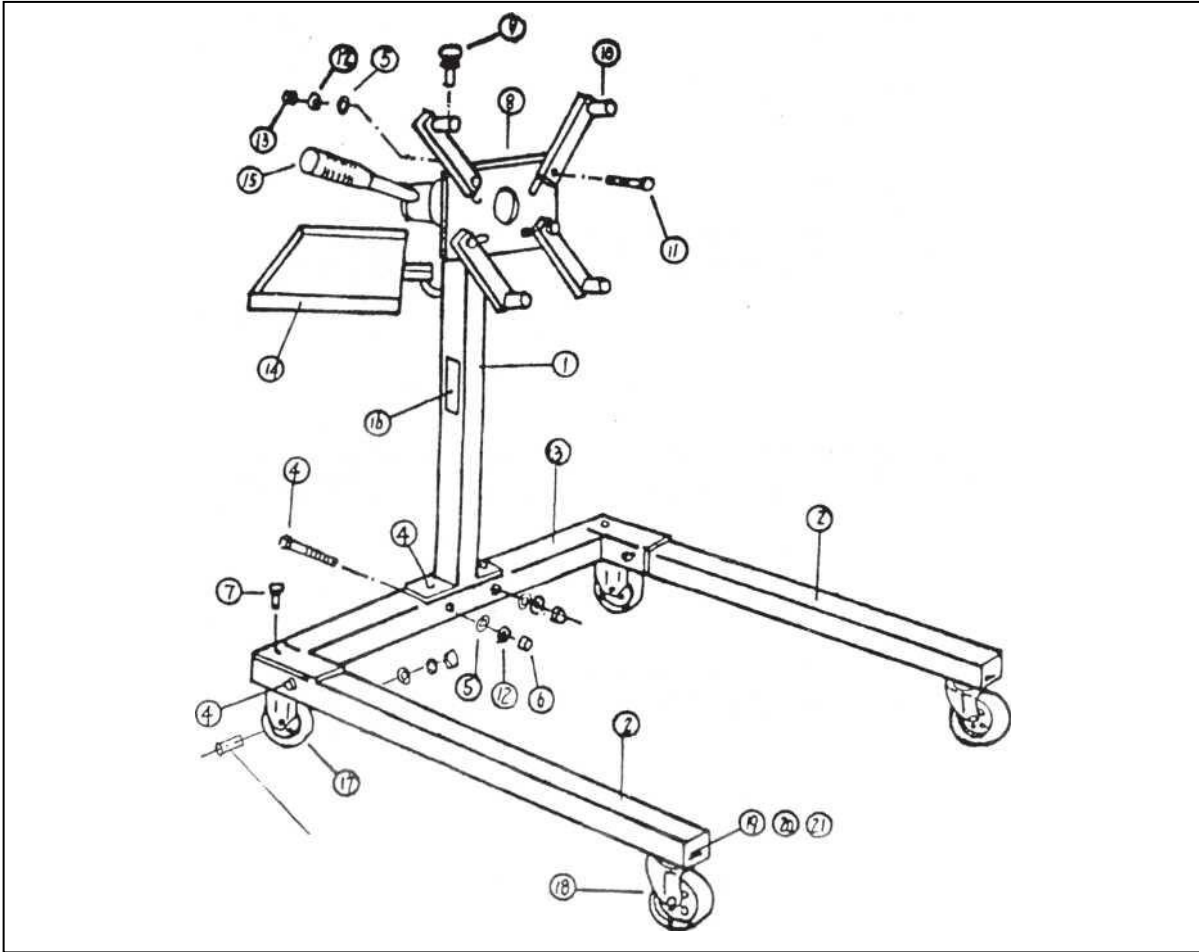
Jema Autolifte A/S
we are here to surprise!



Instruction manual

Engine stand JA1080ES

Please read these instructions carefully to ensure the safety and effective use of this tool.



PARTS LIST/ITEM DESCRIPTION

TOOL TRAY
 ROTATION HANDLE
 NAME PLATE
 WHELL,REAR3-1/8"
 CASTER,3-1/2"
 B?LTM8x20
 HEXNUT,M8
 LOCK WASHER,8
 BOLT,M10x60
 WASHER,FLAT 10
 LOCK WASHER, 10
 HEX NUT,M10
 14 STEEL TUBE

ITEM DESCRIPTION

<u>ITEM DESCRIPTION</u>	<u>QTY</u>
1 MAIN POST	1
2 FRONT HEAM	2
3 SIDE HEAM	1
4 BOLT M12x90	6
5 LOCK WASHER, 12	12
6 HEX NUT M12	8
7 BOLT M12x30	2
HEAD, MOUNTING	
8 PLATE	1
9 LOCK PIN	1
10 MOUNTING ARMS	4
11 BOLT M12x50	4
12 WASHER, FLAT 12	12
13 HEX NUT M12	4

WARNING!

- (a) DO NOT OVERLOAD. OVERLOADING CAN CAUSE DAMAGE TO OR FAILURE OF THE STAND.
- (b) THIS STAND IS DESIGNED FOR USE ONLY ON HARD LEVEL SURFACES CAPABLE OF SUSTAINING THE LOAD. USE ON OTHER THAN HARD LEVEL SURFACES CAN RESULT IN STAND INSTABILITY AND TIPPING OF LOAD.
- (c) ASSURE THAT THE LOAD IS CENTERED AND SECURED TO THE MOUNTING PLATE. OFFCENTER LOADS MAY MAKE THE LOAD AND HANDLE ROTATE IN EITHER DIRECTION WHEN THE ROTATIONAL LOCKING DEVICE IS RELEASED.
- (d) LOCK MOUNTING PLATE ROTATING MECHANISM BEFORE APPLYING A LOAD. RELEASE ROTATIONAL LOCKING DEVICES SLOWLY AND CAREFULLY.
- (e) NO ALTERATIONS TO THE STAND OR ADAPTERS SHALL BE MADE.
- (f) FAILURE TO HEED THESE WARNINGS MAY RESULT IN LOSS OF LOAD, DAMAGE TO STAND, AND/OR FAILURE RESULTING IN PERSONAL INJURY OR PROPERTY DAMAGE.

ASSEMBLY INSTRUCTIONS

- (a) ATTACH MAIN POST (ITEM 1) AND FRONT HEAMS (ITEM 2) TO SIDE HEAM (ITEM 3) WITH (6) M12 x 90. BOLTS (ITEM 4), (6) 12 LOCK WASHERS (ITEM 5), AND (6) M12 HEX NUTS (ITEM 6).
- (b) INSERT (2) M12x 30. BOLTS (ITEM 7) INTO CORNERS OF SIDE HEAM. BOLTS WILL THREAD INTO HEX NUTS IN FRONT HEAMS.
- (c) SLIDE HEAD PLATE (ITEM 8) INTO COLLAR AT TOP OF MAIN POST, ALIGN HOLES AND SLIDE IN LOCK PIN (ITEM 9).
- (d) ATTACH (4) MOUNTING ARMS (ITEM 10) TO HEAD PLATE WITH (4) 12 FLAT WASHERS (ITEM 12) AND (4) M12 HEX NUTS (ITEM 13) AS SHOWN. MOUNTING ARMS CAN BE ADJUSTED TO A MAJORITY OF ENGINES.
- (e) ATTACH TOOL TRAY (ITEM 14) AND ROTATION HANDLE (ITEM 15).