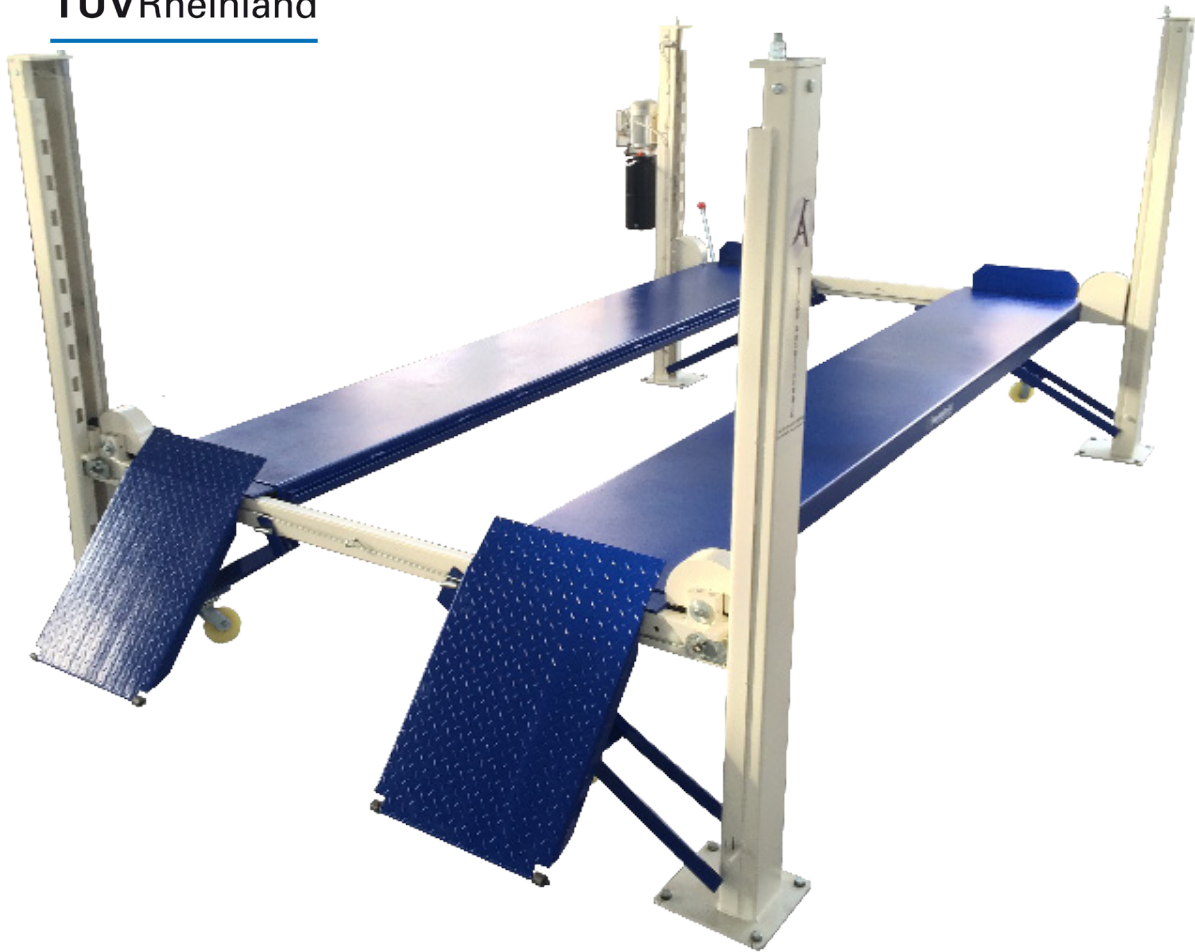


# Basic Line JA3500F 4 Post lift



**Jema Autolifte A/S**  
we are here to surprise!



## Jema Autolifte Basic line mobile 4 Post lift JA3500F

JA3500F Basic Line 4 Post lift is the first mobile 4 post lift to be CE approved by TÜV. JA3500F is an excellent auto lift solution for hobby workshop or semi-professional user. The 4 Post lift is extremely user-friendly as it is mobile! (Wheel kit optional) JA3500F is easy to mount any jack (optional)

The JA3500F 4 Post lift is one of our classics, which we have redesign in 2015 to improve the product.

The user for sure gets value for money with this product. Without a doubt the best 4 Post economy lift on the market. JA3500F CE approved by TÜV

### Technical specifications

- Loading capacity 3500 kg.
- Rise time 50 sec.
- Drop time 40 sec.
- Lifting height 1850 mm
- 220V power supply
- Motor power 2.2 Kw
- Noise level 70 db
- Safety valve
- Weight 900 kg.
- Manually safety lock release
- CE Approved by TÜV



**SAFETY first**

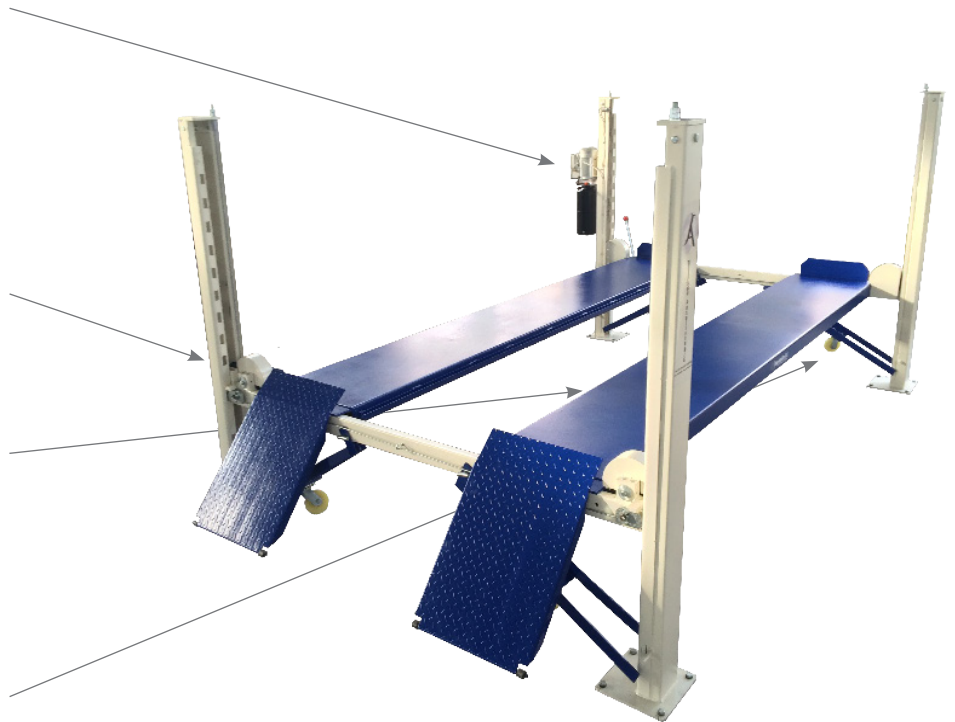
Jema mobile 4 post lift is the first lift of its kind to be CE approved by TÜV. JA3500F has 4 point safety locks, with manually release

**Safety buzzer**

JA3500F has top and bottom limited switches, When the lift reach 20 cm from ground the user has to re-push the down button and the safety buzzer starts and the lift will start when lowering again.

**Double parking/Possible to add Jack**

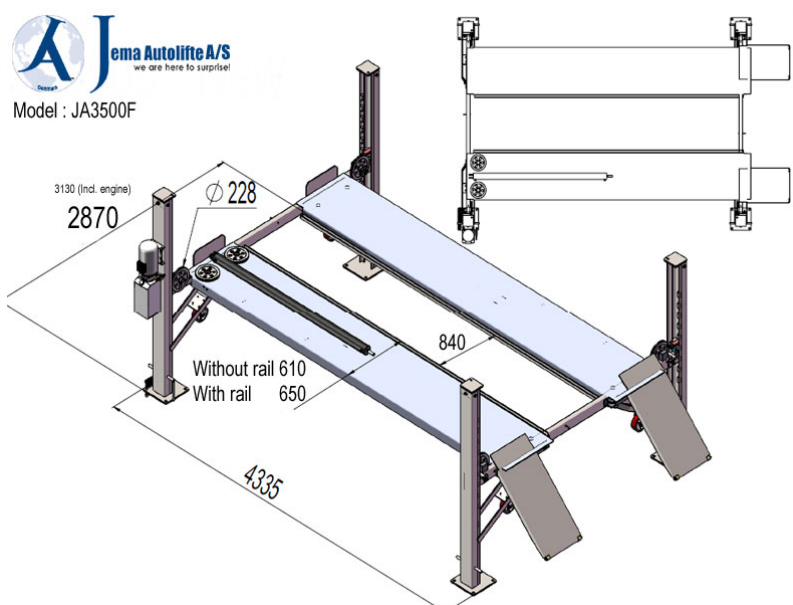
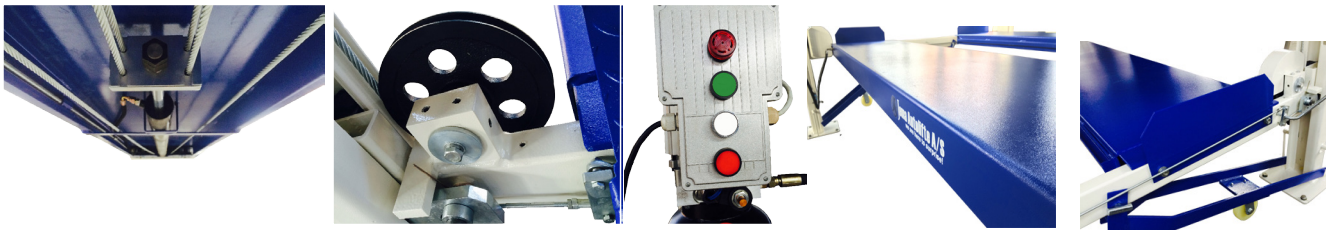
JA3500F can both be used as a double parking lift or the user can add a jack between the runways and use it as a normal 4 post lift (Just mobile).



**Wheel kit**

With the optional wheel kit, it is possible within a few minutes to add the wheel kit and then move the JA3500F around where it is best for the use. The perfect solution for the private or small garage with limited space!

The mobile 4 Post lift JA3500F is one of our classics that we have made a redesign in 2015 to improve the product. The user for sure will get value for money. Without a doubt the best 4 Post economy lift.  
JA3500F is CE approved by TÜV



**Optional jacks**



JA1600J-AIR



JA1600J-OIL

